

Zr-B

© 2008 . . . , . . .

[1].

[2].

$axaxb$

$b,$

(. 1.).

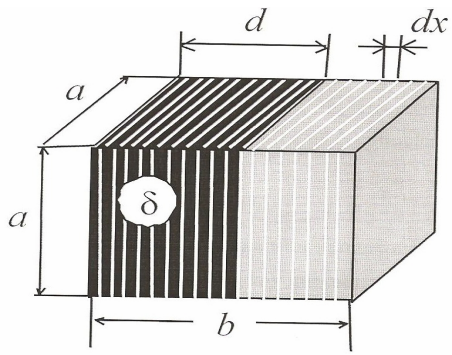
b/a
[1].

Zr-B

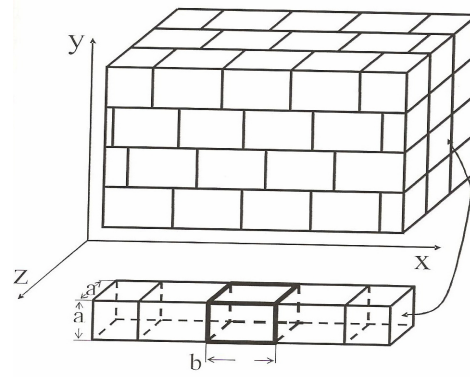
($b/a=1,1$).

0,3 0,5;

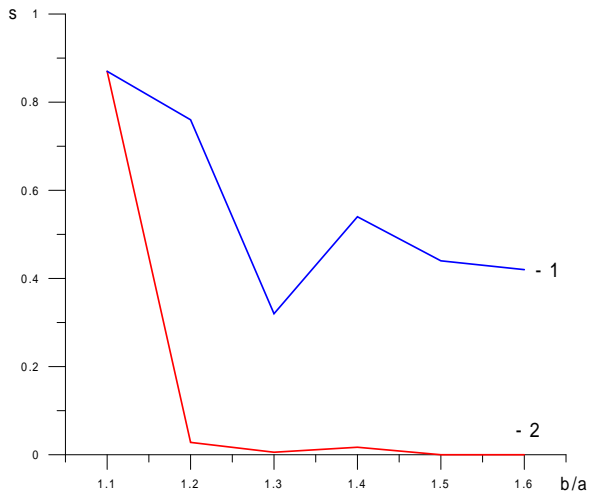
293 800 . 15 10 ;



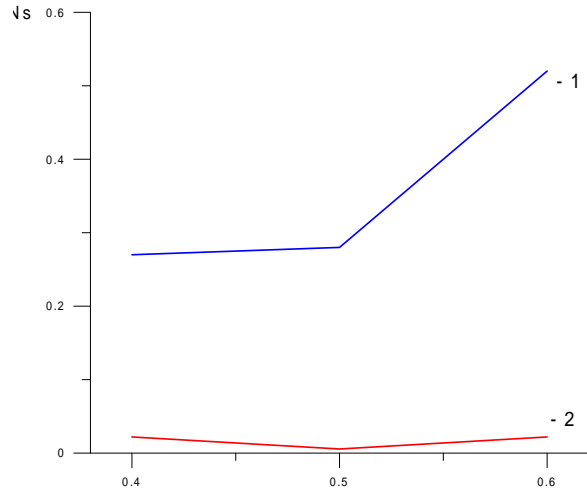
.1.



. 2-



. 2.1.



. 2.2.

= 293 , = 0,5.

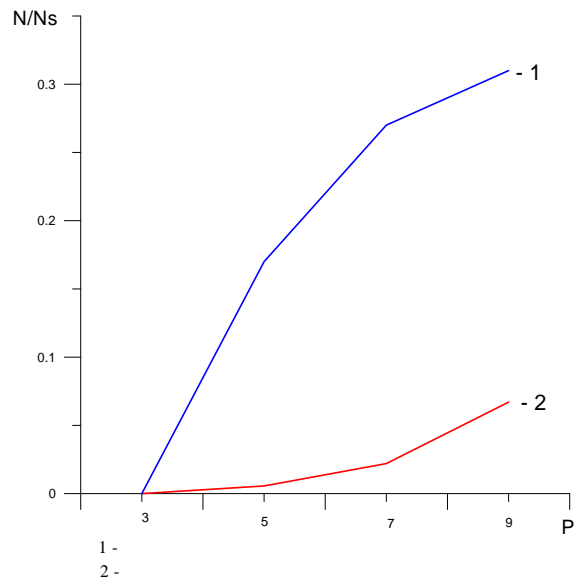
= 5 , = 1.3.

= 5 , = 293 , b/a

($\sigma_0=0,5$)

($P=15$)

($b/a=1,3$)



2.3.

$\nu = 0,5$, $\sigma = 293$, $b/a = 1.3$.

800

1. \dots , \dots : \dots , 2006. – 188 .

2. \dots Ti-C Zr-B: \dots , 2006 – 153 .